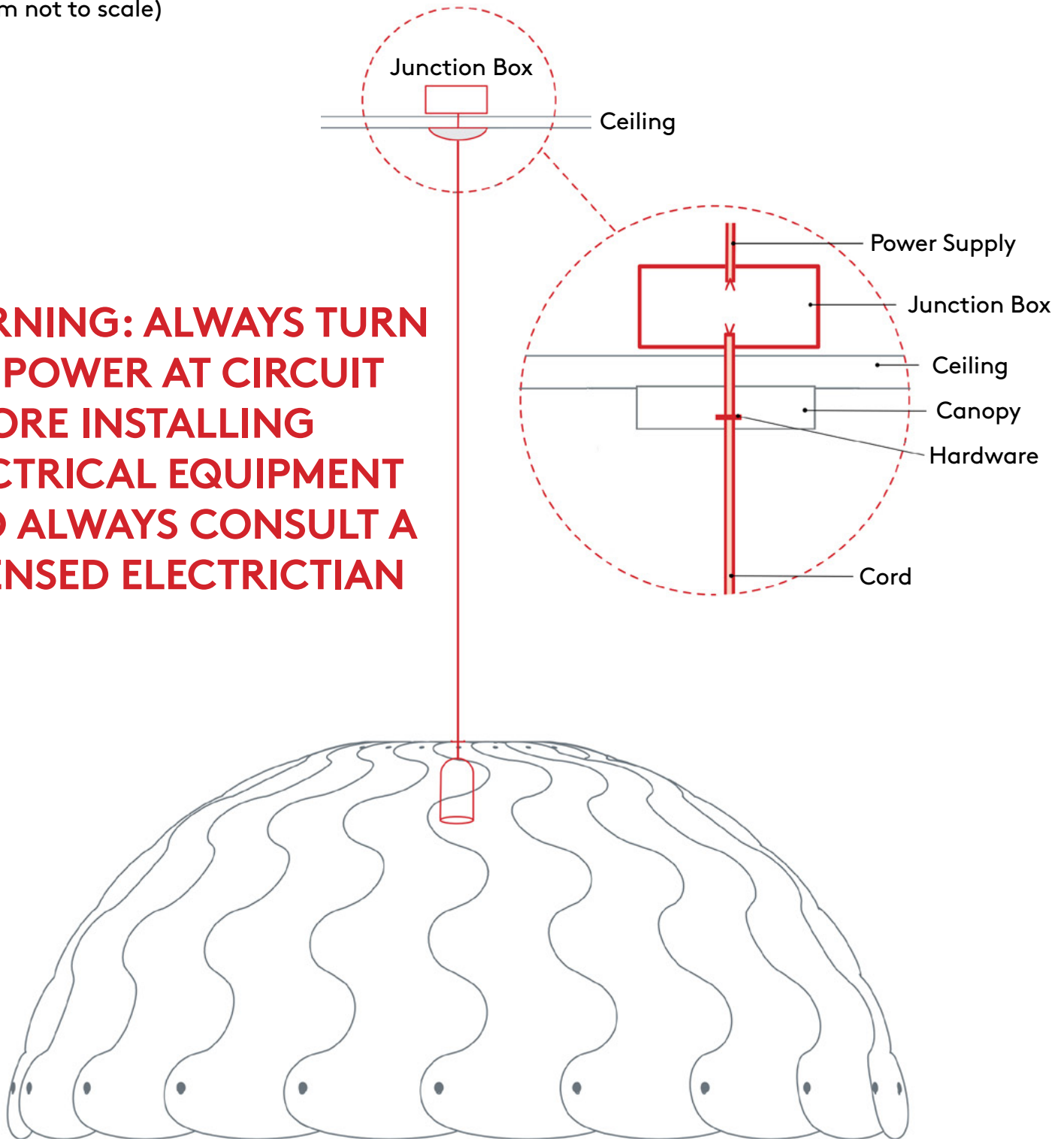


Hush Micro

Installation and Wiring Diagrams

(Diagram not to scale)

WARNING: ALWAYS TURN OFF POWER AT CIRCUIT BEFORE INSTALLING ELECTRICAL EQUIPMENT AND ALWAYS CONSULT A LICENSED ELECTRICIAN



Hush Micro

Installation and Wiring Diagrams

1. TURN OFF POWER CIRCUIT

2. Tie overhand knot in
canopy at desired cord
length

3. Locate positive (black),
negative (white), and
ground (green or bare
copper in the junction
box) wires in the junction
box and at the end of the
fixture cord.

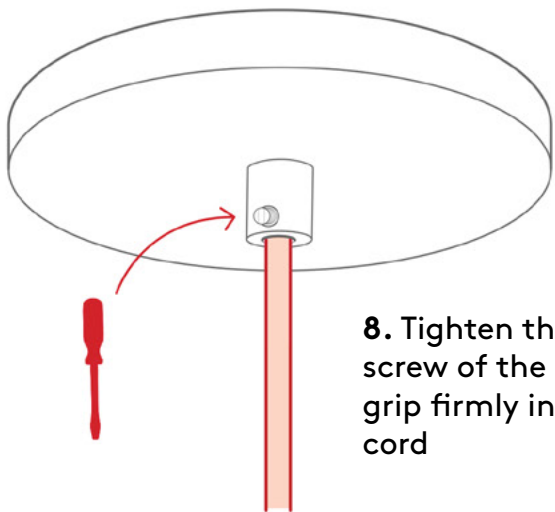
4. Strip end of wires to
expose bare copper wire



5. Connect matching
wires with wire
connectors and wrap
secure w/ electrical
tape

6. Secure mounting
plate to ceiling

7. Secure canopy to mounting plate



8. Tighten the plastic set
screw of the canopy cord
grip firmly in to the fixture
cord

